

GL



GL
PLUS

The power of the big machines
and the agility of the small ones

 FIMAP®



The sturdy and strong structure enables to work everywhere

It is suitable for small environments in any industry even the most demanding ones.

For this reason, the external body is so robust.

The polyethylene body completely protects mechanical parts, outlining a robust and clean design, which makes easier to move in particularly narrow areas.





The squeegee is made of aluminum and the frame is covered with a corrosion-resistant coating, so GL is totally protected against moisture while quality and performance are preserved over time.



New user experience: just a touch to get started

The small touchscreen enables a quicker and more intuitive use of the machine.
Save time every day: to start a maintenance cleaning shift, just press the Eco mode and go.



GL can be used anytime and anywhere:
with Eco mode, silence is ensured even in sensitive environments.





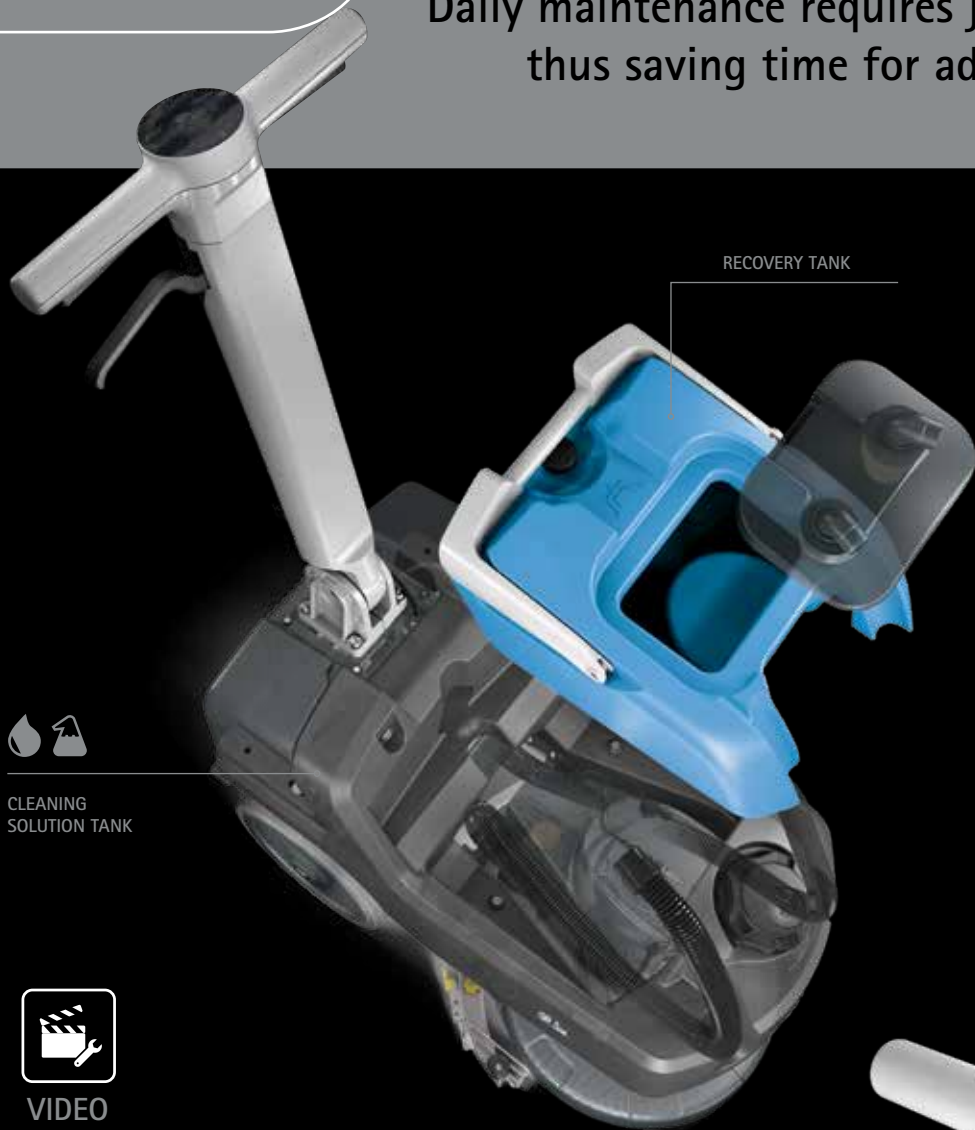
Handlebars can be adjusted in height and tilt,
for a comfortable use.
They can be folded down completely for machine easier storage.

Big wheels increase machine stability and manoeuvrability,
both in heavy-duty working conditions and during transport.





Daily maintenance requires just a few minutes,
thus saving time for additional tasks



RECOVERY TANK



CLEANING
SOLUTION TANK

Smart solutions speed up
maintenance operations

The recovery tank is equipped with
a handle to be easily carried during
emptying operations.



VIDEO
TUTORIALS

Tutorial videos show how to carry out maintenance procedures.
They can be watched directly from the machine touchscreen.





On-board battery charger

At the end of the shift, with the on-board battery charger, GL can be charged anywhere, thus avoiding wasting time to return to a specific place.



Colour code highlights machine parts that need to be cleaned at the end of the shift, so as not to forget any steps of daily maintenance and ensure consistent performance over time.



Great power for amazing results



A pump supplies the cleaning solution with a constant flow, which starts from the center of the brush, thus ensuring uniform cleaning even with low amount of water.



Parabolic squeegee

The squeegee is parabolic, it moves along with the machine when making turns or when the path is not straight. So drying is perfect, with no smudges, cleaning is flawless and the floor is immediately safe.





Powerful brush motor of
440 W



No risk of slipping

The wide suction nozzle of the squeegee and the power of the vacuum motor increase drying performance, thus leaving the floor immediately dry and safe to walk on.



Long
battery run-time
Up to 2 hours



Up to 30 kg of brush
pressure, to easily tackle
even the most stubborn
dirt on any type of flooring

ZONE PROGRAMS

Zone programs make the operator's work easier and help saving time. Once set the zones, each one with proper amount of cleaning, vacuum power and brush rpm, the operator just needs to select the zone to be cleaned to start working. In this way there can be no mistakes, no waste of resources and the result is guaranteed.





Solutions which guarantee safety during cleaning interventions and maintenance



TOUCH SCREEN DISPLAY

Enhances visibility in dim light.

With the video tutorials the operator always knows what to do, for his/her safety and to take care of the machine properly. The videos show how to perform maintenance procedures and can be watched directly from the touch screen.



VIDEO TUTORIALS

Operator presence control

When the handlebars are released all machine functions immediately switch off, in order to guarantee safety even in case of sudden stops.





iD-intelligent Drive universe follows you even in the tightest spaces

Touchscreen technology increases the quality of cleaning interventions, since it makes the selection of functions more accurate and reliable. The iD system suggests the proper settings to tackle different cleaning needs, thus increasing productivity and performance.



LOG-IN WITH PASSWORD
To protect your investment



ZONE PROGRAMS
For all the performance you'll ever need



ECO MODE
To protect the environment



VIDEO TUTORIALS
For a more efficient, fast and easy operator training

iD-intelligent Drive



TOUCH SCREEN
DISPLAY



LOG-IN WITH
PASSWORD



ZONE PROGRAMS



SUSTAINABLE
CLEANING



VIDEO
TUTORIALS



EXPERIENCE CONNECTIVITY

Discover the FFM universe and experience the advantages of being constantly connected, with My.Machine app!



My.Machine



Watch the video



FIMAP FLEET MANAGEMENT

My.Machine app updates you in real time providing all the essential information to help you keep high the fleet performance. You can see from your smartphone or tablet where your machines are, if they're carrying out the cleaning task or

if any anomaly occurred. You can see the list of the services performed, the charger logs and anomalies occurred, in order to have a complete overview of the health status of each machine.

Keep tabs on your machines remotely when you want and from wherever you want!



GEOLOCATION

It shows on a map the machine.



USE INFORMATION

It's possible to know in what working mode the machine is operating and for how long. Moreover, it provides information about the duration of each intervention and the sq.m cleaned.



HEALTH STATUS

Anytime is possible to monitor the health condition of both machines and batteries to have a clear view of the fleet availability and optimize its coordination.



ENVIRONMENTAL IMPACT

All the data related to the CO₂ produced per intervention are available as well as the water and detergent consumption, in order to take action and improve the performance.



ALARMS

The anomalies occurred are summarized in a list which includes a description of the type of issue, and the date and time of the event. It helps you to have an overview of the improper uses that need to be corrected.



BATTERY RECHARGE

It sums up all the complete and opportune recharges performed, the residual charge and the charge settings. This is an essential set of information to extend the battery lifespan and reduce the related costs.



SERVICES

An overview of the list of the maintenance services performed allows to identify discrepancies with the health condition of the machine in case an anomaly is detected, and to monitor the inspections of the whole fleet.



Take care of the environment with a better management of resources

With better management of resources, you can clean more sq.m with the same levels of consumption, avoiding waste. Fimap technologies optimize the use of water, detergent and energy to protect the environment and reduce the cost of cleaning per sq.m.



The Eco Mode function helps prevent water, detergent and energy consumption by using only the quantities you need and nothing more.



START&STOP

When the machine is idle, the brush motor, the vacuum motor and the water flow will turn off automatically, reducing costs and emissions. All the functions are reactivated automatically when the operator presence control is operated.



FES-FIMAP ENERGY SAVER

Reduces energy consumption by up to 35%.





100%

0000.00

ECO mode

ECO mode

ON/OFF



Choose the technology that fits your requirements



PRO

Membrane
control panel



PLUS



Touch-screen
display

OPTIONALS AND ACCESSORIES

OPTIONALS



On board battery charger for AGM batteries

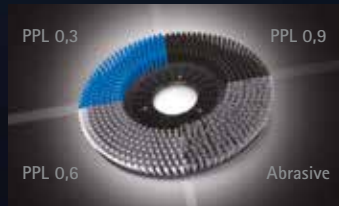


FFM LITE-FIMAP FLEET MANAGEMENT

ACCESSORIES



External battery charger for pure lead batteries



A wide choice of disc brushes in PPL is offered, available in thicknesses from 0.3 to 0.9 cm. These offer the perfect solution for dealing with any type of dirt on any floor.

Abrasive brushes:
Ideal for heavy duty cleaning on industrial surfaces.



Squeegee rubber blades

33 SHORE (PARA)
For maintenance cleaning of smooth floors.

40 SHORE (PARA)
For stubborn dirt on floors with joints.

POLYURETHANE
For heavy duty cleaning on industrial floors, even with wide gaps.



OPTIONAL AND STANDARD EQUIPMENT

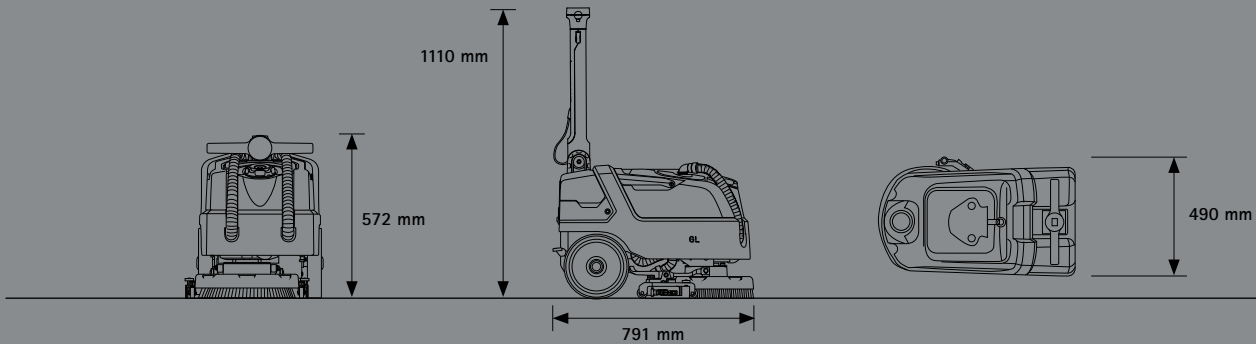
| USER EXPERIENCE | SINGLE DISC | |
|---|-------------|---------|
| | GL Pro | GL Plus |
| iD-Intelligent Drive: | - | • |
| - 2,5 inch high resolution color touch screen | - | • |
| - Log-in with password | - | • |
| - Zone programs | - | • |
| - Eco Mode | • | • |
| - Video tutorials | - | • |
| Membrane control panel | • | - |
| COMFORT | | |
| Hour meter | • | • |
| Cleaning solution level indicator | • | • |
| On-board battery charger | ○ | ○ |
| Noiseless suction | • | - |
| PRODUCTIVITY | | |
| Water flow selector | • | • |
| FFM Lite (Fimap Fleet Management) | ○ | ○ |
| Squeegee and squeegee support in aluminum | • | • |
| Vacuum speed selector | - | • |
| SAFETY | | |
| Operator presence control | • | • |
| ENVIRONMENT | | |
| Eco Mode | • | • |
| FES (Fimap Energy Saver) | • | • |
| Start&Stop | • | • |

• STANDARD

○ UPON REQUEST

- NOT AVAILABLE

DIMENSIONS AND TECHNICAL DATA



| TECHNICAL DATA – GL | | SINGLE DISC |
|--|-------------|-------------------------|
| | | Pro / Plus |
| Productivity theoretical | up to sqm/h | 1300 |
| Estimated coverage | up to sqm/h | 900 |
| SCRUBBING SYSTEM | | |
| Working width | mm | 355 |
| Brush motor | (no.) V/W | (1) 24/440 |
| Brush rpm | rpm | 140 |
| Brush pressure (up to) | kg | 30 |
| TANK AND RECOVERY SYSTEM | | |
| Solution tank | l | 15 |
| Recovery tank | l | 17 |
| Suction motor | V/W | 24/280 |
| Vacuum water lift | mbar | 76 |
| BATTERY SYSTEM | | |
| Supply/traction | V | 24/semi aut. |
| Batteries | (no.) V | (2) 12 (AGM) |
| Battery run time* | up to h | (2) 12 (PURE LEAD) 2 |
| PROPELLING SYSTEM | | |
| Forward working speed | km/h | 2,5 |
| SPECIFICATIONS | | |
| Machine dimensions (L x h x w) | mm | 765 1110 490 |
| Squeegee width | mm | 440 |
| Machine weight empty without batteries | kg | 52,5 |
| Machine weight empty with batteries | kg | 73,5 |
| GVW (Gross Vehicle Weight) | kg | 84 |
| Sound level (ISO 11201) | dB (A) | 61,4 |

* Run times are based on continuous scrubbing run times in Eco Mode

CONSULTING AND PLANNING



We put our experience at your service, to help you realize the cleaning project perfect you. We suggest you the best solutions to make costs decrease and service quality increase.

SETUP



We can help you set up your machines in order to make them meet specifically the requirements of the sites of your project, allowing you to always have control over costs and results.

AUTHORIZED WORKSHOP NETWORK



Fimap Authorized Workshop network spans the globe, so you can enjoy the peace of mind of finding a professional support wherever your business is.

CONFIGURATION



Your business is unique, only a customized fleet can lead you to better results. We will help you find the configurations that best fit the specific requirements of your cleaning sites, in order to optimize processes and lower costs.

TRAINING COURSES



Fimap Academy offers courses for all levels, from the correct use of machines and technologies, up to the management of sites and tenders, helping you to make your service really competitive.

MAINTENANCE AND REPAIR



For your business to run smoothly it is essential that your machines are kept always operational. Our technicians take care of monitoring the machines health status and know how to intervene quickly and effectively when needed.

FINANCIAL SOLUTIONS



You can choose to use the fleet in different ways. We can advise you on the best financial solution for your business, so that you can get the quality of the Fimap world at the most convenient conditions for you.

DIGITAL FLEET MANAGEMENT SYSTEM



With Fimap Fleet Management everything is under your control. You can have a complete overview of the service provided and find out the improvements that can be made, basing your considerations on real data, always available via the MyMachine app or FFM website.

GENUINE SPARE PARTS



Get the most out of your machines, choose the reliability of Fimap original spare parts. They are designed together with the machines, so they perfectly fit them thus guaranteeing the highest quality of performance.

CERTIFICATIONS



For any additional information or for a demo please contact your usual Fimap dealer

 **FIMAP**[®]
www.fimap.com

FIMAP spa - Via Invalidi del Lavoro, 1 - 37059 S. Maria di Zevio - Verona - Italy
Tel. +39 045 6060411 - Fax +39 045 6060417 - E-mail: fimap@fimap.com

