

BMg



Small in its dimensions, but not in its performance

 **FIMAP**[®]

BMg





The evolution of #thisisfimap in its smallest form

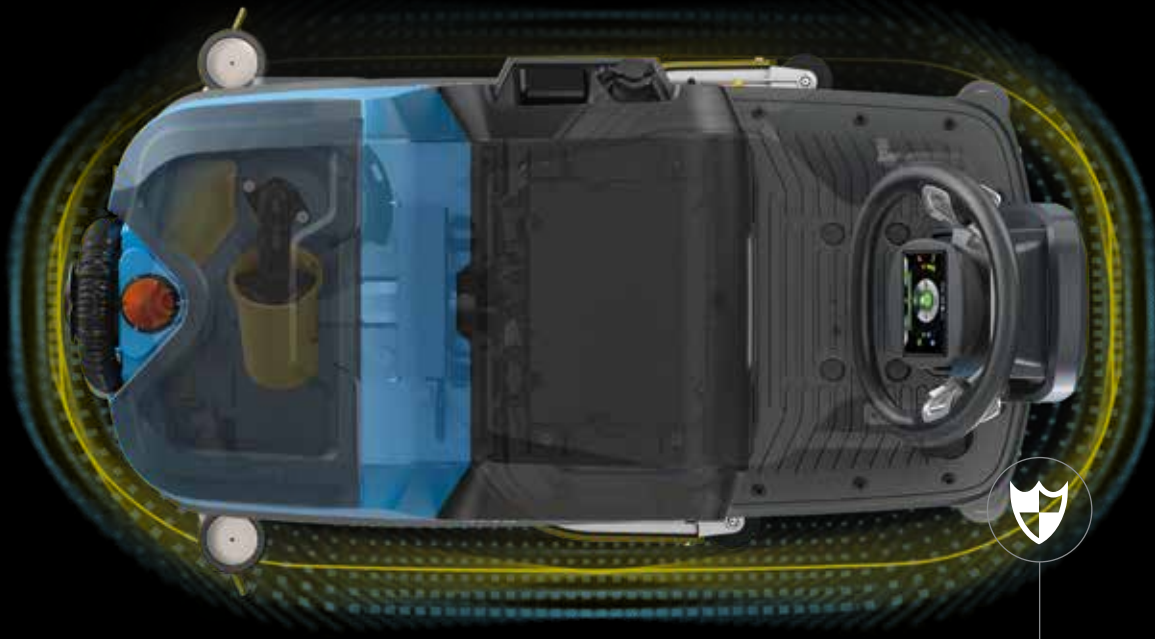
The small dimensions are balanced by the carefully studied spaces, which ensure exceptional comfort during work. Its design facilitates every movement, while intelligent technology makes using the functions so user-friendly that it seems natural.

It is the product of an extraordinary study that has enabled the same features and options present on larger models to be integrated in such a small model, creating a scrubbing machine that is a little powerhouse.

BMg

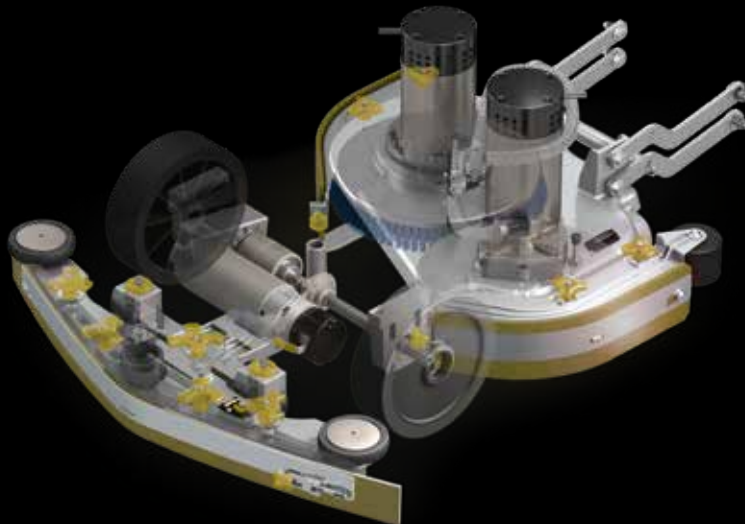
It has a design that redefines space

The dimensions are compact like those of a walk-behind scrubbing machine, and yet the seat space is surprisingly comfortable, adapting to the operator and guaranteeing visibility and safety during any maneuver and even in tight spaces.



The polyethylene structure leaves no part exposed and protects all the components inside.

The low center of gravity ensures stability and safety during transfer, in bends and when going over ramps.



The squeegee and the support are made from aluminum, a material that increases reliability over time and offers resistance to impacts, making the machine suitable for use in any environment.

INTEGRATED VIDEO TUTORIALS

With BMg you can save the time dedicated to training: when the operator needs instructions, he or she can watch the tutorials directly on the display of the machine.



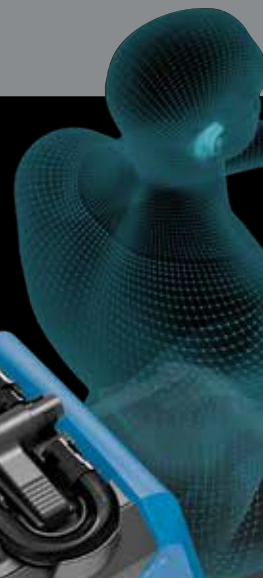
ECO MODE



BMg can be used at any time, even in sensitive environments, with the Eco Mode function that enables the machine to work quietly without causing disturbance.

ACCESSORIES ALWAYS IN ORDER

The optional accessories are always within reach, stored in special compartments designed to not interfere with the design of the machine and to respect its dimensions.



● YELLOW COLOR-CODED PARTS

At the end of the cleaning operation, the yellow color reminds the operator of the parts to be cleaned immediately, to maintain constant performance over time.



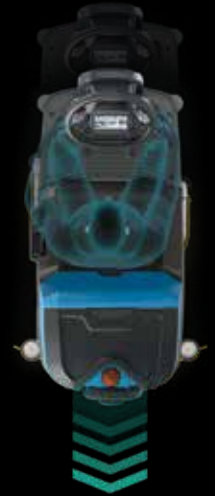
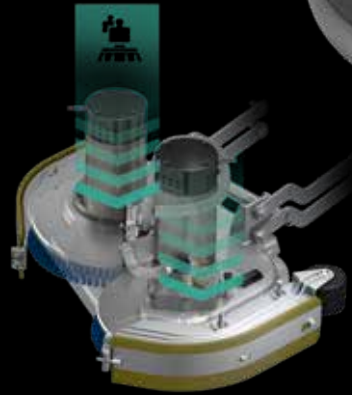
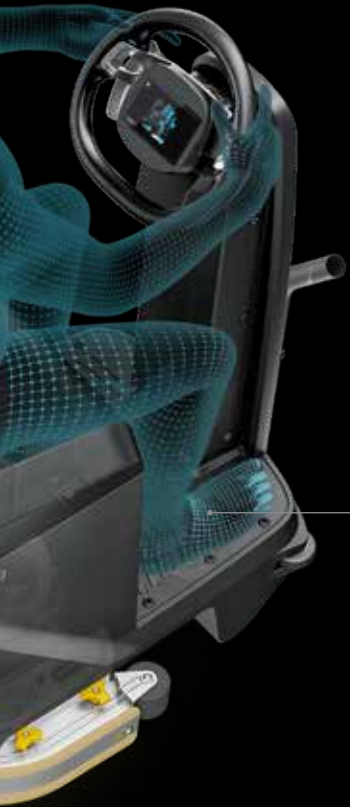
SPRAY GUN

It facilitates maintenance at the end of the operation, and is useful for rinsing the tanks when there is no faucet nearby.



The machine has everything that could be of use during cleaning operations

LATERAL PADDLES



The controls on the sides of the steering wheel help the operator to maintain concentration on the working area, without danger of distractions.

The left lever manages the pressure on the brushes, while the one on the right activates the reverse function, which can be easily monitored from the display.



The low footboard makes it easy to climb on and off from both sides and enhances the feeling of comfort when driving without any effort.

Pure power to your commands



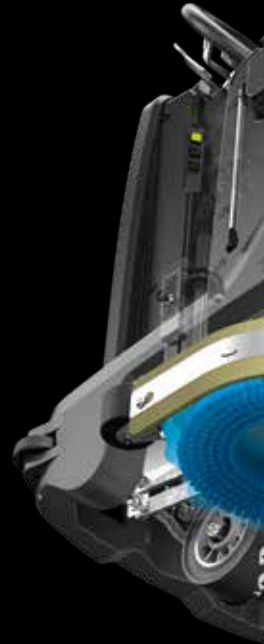
POWER MODE

With any active working program, the Power Mode function enables the scrubbing power to be increased for a short time interval, and when this has passed, the machine returns to the previous configuration. This is useful when during the normal cleaning routine, the machine comes across small areas of dirt that need a more intense scrubbing action.



REAR VIEW CAMERA

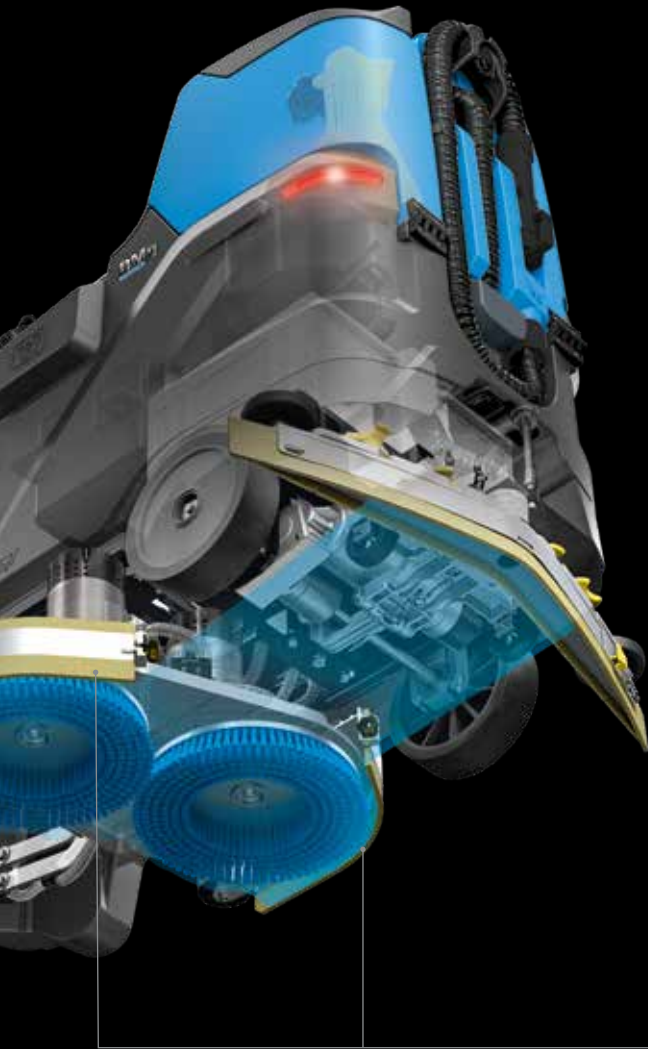
In addition to monitoring reverse maneuvers, the operator can activate the camera at any time, to monitor cleaning performance without turning around.



VACUUM WAND

Equipped with a powerful 3-stage vacuum motor, the wand enables the collection of dirt deposited in areas difficult to be reached with the machine. In cases of stubborn dirt, it can be dampened with the spray gun.





FLR-FIMAP LONG RANGE
Increases productivity by up to 70%.



REDUCES DOWNTIMES

The 4 km/h working speed guarantees fast cleaning operations, while when in transfer, the machine saves time because it moves at over 5 km/h, and it is not necessary to get off when changing rooms, going through doors or getting into an elevator.



DRIES EVEN IN NARROW BENDS

The V-shaped side splash guards keep the water inside the brush area and in line with the path of the squeegee, which can then collect it completely. This enables excellent drying quality to be achieved, without leaving traces of water and with no need to pass over an area twice, even when the turning circle is limited.



All the help possible for safe operations

Safety is paramount

The BMg is equipped with a host of safety systems and features to keep the operator in complete control at all times, working with total peace of mind.

ACTIVE TECHNOLOGIES to prevent accidents



REAR VIEW
CAMERA

Increases the safety of reverse maneuvers.



TOUCH SCREEN
DISPLAY

Enhances visibility in dim light.



STEERING
WHEEL
CONTROLS

The steering wheel controls offer the operator even greater control when cleaning, and also improve safety by eliminating distractions and letting the operator keep his or her eyes on the zone ahead of the machine.



CRUISE
CONTROL

Control device letting the operator set the required speed.



ANTI-COLLISION
SYSTEM

The anti-collision system detects obstacles when reversing.



DESCENT
CONTROL

Maintains a constant speed when driving downhill, and prevents sudden increases in speed caused by gravity.



ESC -
ELECTRONIC
STABILITY
CONTROL

Automatically reduces speed when steering without the operator using the brake.





STOP&GO

The traction control system, which brakes and holds the machine when the accelerator pedal is released, provides assistance for both uphill and downhill gradients.



ELECTROBRAKE

It is automatically operated when the machine stops. It works as a safety parking brake.



LED HEADLIGHTS

Front and rear LED headlights maximize work safety in all conditions.

FRONT HEADLIGHTS

Position lights - Driving lights.

REAR HEADLIGHTS

Position lights - Reverse lights.



VIDEO TUTORIALS

Any questions? BMg has all the answers: the video tutorials help the operator in every phase of the job.

PASSIVE SYSTEMS to help the operator in case of emergency



SOS DEVICE

Reduces time to service in case of emergency. The red button sends an SMS alert to receive prompt help, reducing downtimes.



EMERGENCY STOP

By pressing a single button the machine stops immediately.

Touchscreen Display



iD-intelligent Drive



TOUCH SCREEN
DISPLAY



LOG-IN
WITH
PASSWORD



ZONE
PROGRAMS



CRUISE
CONTROL



SUSTAINABLE
CLEANING



SEVERE
CLEANING



REAR VIEW
CAMERA



ANTI-COLLISION
SYSTEM



VIDEO
TUTORIALS

It is so user-friendly that it is a pleasure to operate



With the iD – intelligent Drive system, the operator interacts with the machine in a completely new way.

The management through the display enables a more precise use of the functions, as the graphic provides the information in a clear and simple manner.

This also improves the professionalism and quality of the cleaning operation.



LOG-IN WITH PASSWORD
To protect your investment



ZONE PROGRAMS
For all the performance you'll ever need



ECO MODE
To protect the environment



POWER MODE
For maximum power when you need it



REAR VIEW CAMERA
To keep everything under control



VIDEO TUTORIALS
For a more efficient,
fast and easy operator training

Discover FFM and experience
the advantages of being constantly connected
with the My.Machine app!



My.Machine





Watch the video



FIMAP FLEET MANAGEMENT

Developing new technology to improve efficiency is one of the core missions of Fimap.

An example of this is FFM, the Fimap Fleet Management system which collects the data sent by the machines and transforms it into valuable information accessible to you easily in real time, 24/7, from your smartphone, through the app My.Machine.

Being constantly connected to your machines will help you operate them even more efficiently and effectively.

My.Machine lets you know where the machines are, if the operation is being carried out according to plans and at the scheduled time.

The machine's health status is constantly monitored. In the very unlikely event of a breakdown, you'll receive an alert notification directly on your smartphone, allowing you to take action promptly and immediately call the technical support.

You can check the battery conditions and the quality of the charges in order to optimize battery endurance and life cycle.

Keep tabs on your machines remotely when you want and from wherever you want!



GEOLOCALISATION

You know where your machines are



USAGE INFORMATION

You know how your machines are used



HEALTH STATUS

You know the health status of machines and batteries



ENVIRONMENTAL IMPACT

You can check the machine consumption per intervention

BMg reduces the environmental impact of cleaning operations

Fimap has developed a series of solutions that act on the consumption of water, detergent and energy, to get the most out of the resources used and avoid waste. These technologies increase the efficiency of operations, respect the environment and reduce the cost of cleaning per sq.m.



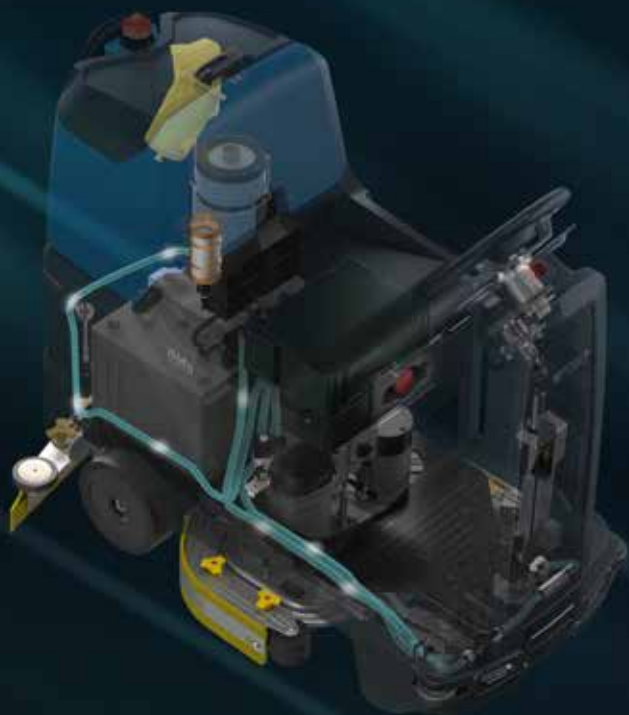
The Eco Mode function helps prevent water, detergent and energy consumption by using only the quantities you need and nothing more.



START&STOP

When the machine is idle, the brush motor, the vacuum motor, the traction and the water flow will turn off automatically, reducing costs and emissions. All the functions are reactivated automatically as soon as the operator touches the accelerator again.





WATER



FLR-FIMAP LONG RANGE

Reduces water and detergent consumption per cleaning operation by up to 66%*. This is a system which recycles detergent solution to increase autonomy: to scrub more sq.m. while using less resources.



FSS-FIMAP SOLUTION SAVER

Water and detergent quantities are separately dosed, reducing consumption by up to 50%.



FWF-FIMAP WATER FLOW

Ensures uniform cleaning results across the entire working width on the first pass, optimizing detergent solution consumption.

ENERGY



FES-FIMAP ENERGY SAVER

Reduces energy consumption by up to 35%.

LED TECHNOLOGY

Up to 80% lower energy consumption than conventional headlights. The LED headlights consume much less energy than conventional headlights, offer a longer lifespan and illuminate with a brilliant white light similar to natural daylight.

*Saving calculated on a triple recycling cycle

BMg

Every sector has its own requirements,
BMg can satisfy them all!



DISC
with 1 disc brush
or 1 pad holder.



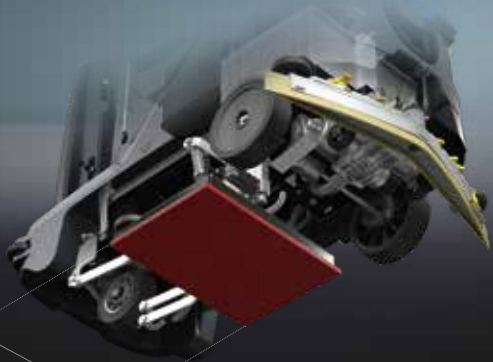
DISC
with 2 disc brushes
or 2 pad holders.



ORBITAL
With pad.

BMg DISC

The brush head with disc brushes is the most versatile option, as this can adapt to all types of hard floors, both smooth and irregular, in any environment. The force of the two brushes easily removes even stubborn dirt.



BMg ORBITAL

With the orbital movement, every point of the pad is in constant contact with the floor, ensuring that the cleaning result is always uniform across the entire surface, with reduced energy consumption. The pad action traps the solution and stops it running off at the sides, thereby reducing water consumption.

BMg

With flexible equipment options, you can configure it in the most convenient and beneficial way for you



PRO

Membrane
control panel



PLUS



Touch-screen display

OPTIONALS AND ACCESSORIES

OPTIONALS



Vacuum wand



Spray gun



FFM-FIMAP FLEET MANAGEMENT



Front and rear driving LED headlights



FSS-FIMAP SOLUTION SAVER

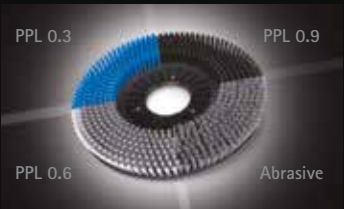


On-board Battery Charger



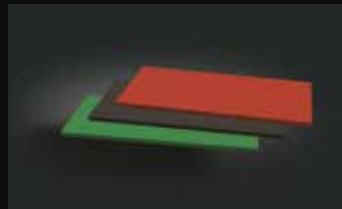
FLR-FIMAP LONG RANGE

ACCESSORIES



Different types of PPL disc brushes are available, with thickness varying from 0.3 to 0.9. These offer the perfect solution for dealing with any type of dirt on any floor.

Abrasive brushes:
Ideal for heavy duty cleaning on industrial surfaces.



Pads
BLACK
Superior abrasiveness for rapid and thorough heavy duty cleaning.
GREEN
Ideal for removing dirt from more delicate floors (rubber or linoleum).
RED
Ideal for scrubbing delicate or treated floors, and achieving an instant shine.



Rear squeegee rubber blades
33 SHORE (PARA)
For maintenance cleaning of smooth floors.
40 SHORE (PARA)
For stubborn dirt on floors with joints.
POLYURETHANE
For heavy duty cleaning on industrial floors, even with wide gaps.



OPTIONAL AND STANDARD EQUIPMENT

| USER EXPERIENCE | SINGLE DISC | | DUAL DISC | | ORBITAL | |
|--|-------------|-----------|-----------|-----------|-------------|--------------|
| | 56 B Pro | 56 B Plus | 65 B Pro | 65 B Plus | Orbital Pro | Orbital Plus |
| iD-Intelligent Drive: | - | • | - | • | - | • |
| - 5 inch high resolution color touch screen | - | • | - | • | - | • |
| - Log-in with password | - | • | - | • | - | • |
| - Zone programs | • | • | • | • | • | • |
| - Cruise control | • | • | • | • | • | • |
| - Eco Mode | • | • | • | • | • | • |
| - Power Mode | - | • | - | • | - | • |
| - Rear view camera | - | • | - | • | - | • |
| - Anti-collision system | - | • | - | • | - | • |
| - Video tutorials | - | • | - | • | - | • |
| Membrane control panel | • | - | • | - | • | - |
| COMFORT | | | | | | |
| Hour meter | • | • | • | • | • | • |
| Cleaning solution level indicator | • | • | • | • | • | • |
| Fresh water empty tank light | - | • | - | • | - | • |
| Battery charger | ○ | ○ | ○ | ○ | ○ | ○ |
| Automatic brush coupling/uncoupling | • | • | - | - | - | - |
| Brush and squeegee actuator | • | • | • | • | • | • |
| Vacuum wand with 3 stage motor | ○ | ○ | ○ | ○ | ○ | ○ |
| Spray gun | ○ | ○ | ○ | ○ | ○ | ○ |
| Noiseless suction | • | - | • | - | • | - |
| PRODUCTIVITY | | | | | | |
| Water flow selector | • | • | • | • | • | • |
| Triple pressure selector | - | • | - | • | - | • |
| Double pressure | • | - | • | - | • | - |
| Vacuum speed selector | - | • | - | • | - | • |
| FFM (Fimap Fleet Management) with SOS device | ○ | ○ | ○ | ○ | ○ | ○ |
| Squeegee and squeegee support in aluminum | • | • | • | • | • | • |
| Side splash guards | - | - | • | • | - | - |
| SAFETY | | | | | | |
| Blinking light | • | • | • | • | • | • |
| Driving LED headlights (front - rear) | ○ | • | ○ | • | ○ | • |
| Ramp up | • | • | • | • | • | • |
| Stop&Go | • | • | • | • | • | • |
| Descent control | • | • | • | • | • | • |
| ESC (Electronic Stability Control) | • | • | • | • | • | • |
| Emergency Stop | • | • | • | • | • | • |
| ENVIRONMENT | | | | | | |
| FSS (Fimap Solution Saver)* | ○ | ○ | ○ | ○ | ○ | ○ |
| FSS (Fimap Solution Saver)* and spray gun | ○ | ○ | ○ | ○ | ○ | ○ |
| FLR (Fimap Long Range)* | ○ | ○ | ○ | ○ | ○ | ○ |
| FLR (Fimap Long Range)* and spray gun | ○ | ○ | ○ | ○ | ○ | ○ |
| FES (Fimap Energy Saver) | • | • | • | • | • | • |
| FWF (Fimap Water Flow) | - | - | • | • | - | - |
| Start&Stop | • | • | • | • | • | • |

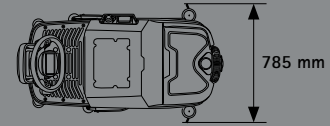
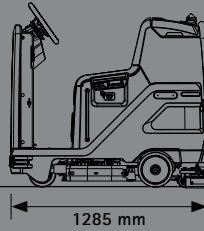
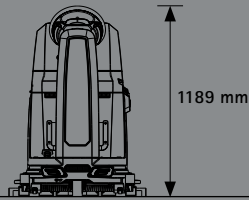
* The devices cannot be installed together

• STANDARD

○ UPON REQUEST

- NOT AVAILABLE

DIMENSIONS AND TECHNICAL DATA



| TECHNICAL DATA - BMg | | SINGLE DISC | | DUAL DISC | | ORBITAL | |
|--|---------------|-------------|-----------|----------------|-----------|-------------|--------------|
| | | 56 B Pro | 56 B Plus | 65 B Pro | 65 B Plus | Orbital Pro | Orbital Plus |
| Productivity theoretical | up to sqm/h | 2270 | | 3220 | | 2525 | |
| Estimated coverage | up to sqm/h | 1850 | | 2145 | | 1685 | |
| SCRUBBING SYSTEM | | | | | | | |
| Working width | mm | 560 | | 655 | | 500 | |
| Brush motors | (no.) V/W | (1) 24/500 | | | | (1) 24/680 | |
| Brush rpm | rpm | 170 | | 150 | | - | |
| Oscillations | n/min | - | | - | | 2000 | |
| Pressure on the brushes (min. - max) | kg | 30÷50 | | 40÷60 | | | |
| TANKS AND RECOVERY SYSTEM | | | | | | | |
| Solution tank | l | | | 51 | | | |
| Recovery tank | l | | | 55 | | | |
| Vacuum motor | V/W | | | 24/422 | | | |
| Vacuum water lift | mbar | | | 119 | | | |
| 3-stage vacuum motor (for vacuum wand) | V/W | | | 24/584 | | | |
| Vacuum water lift (3-stage motor) | mbar | | | 181 | | | |
| Detergent tank capacity (FSS) | l | | | 3 | | | |
| BATTERIES | | | | | | | |
| Supply/traction | V | | | 24/aut. | | | |
| Batteries | (no.) V/Ah C5 | | | (2) 12/105 GEL | | | |
| | | | | (2) 12/110 WET | | | |
| Battery run time* | up to h | 2,6 | | 2,5 | | 2,9 | |
| PROPELLING SYSTEM | | | | | | | |
| Forward working speed | km/h | | | 2,8 | | | |
| Transport speed | km/h | | | 5,5 | | | |
| Gradeability during transport empty | % | | | 10 | | | |
| Traction motor | V/W | | | (1) 24/300 | | | |
| SPECIFICATIONS | | | | | | | |
| Machine dimensions (l x h x w) | mm | 1285 | | 1285 | | 1285 | |
| | | 1189 | | 1189 | | 1189 | |
| | | 641 | | 709 | | 641 | |
| Squeegee width | mm | | | 785 | | | |
| Machine weight empty without batteries | kg | 160 | | 172 | | 170 | |
| Machine weight empty with batteries | kg | 238 | | 250 | | 248 | |
| GVW (Gross Vehicle Weight) | kg | 375 | | 387 | | 385 | |
| Sound level (ISO 11201) | dB (A) | | | <70 | | | |
| Minimum aisle turn | mm | | | 1830 | | | |

*Run times are based on continuous scrubbing run times

SERVICES

CONSULTING AND PLANNING



We put our experience at your service, to help you realize the cleaning project perfect you. We suggest you the best solutions to make costs decrease and service quality increase.

SETUP



We can help you set up your machines in order to make them meet specifically the requirements of the sites of your project, allowing you to always have control over costs and results.

AUTHORIZED WORKSHOP NETWORK



Fimap Authorized Workshop network spans the globe, so you can enjoy the peace of mind of finding a professional support wherever your business is.

CONFIGURATION



Your business is unique, only a customized fleet can lead you to better results. We will help you find the configurations that best fit the specific requirements of your cleaning sites, in order to optimize processes and lower costs.

TRAINING COURSES



Fimap Academy offers courses for all levels, from the correct use of machines and technologies, up to the management of sites and tenders, helping you to make your service really competitive.

MAINTENANCE AND REPAIR



For your business to run smoothly it is essential that your machines are kept always operational. Our technicians take care of monitoring the machines health status and know how to intervene quickly and effectively when needed.

FINANCIAL SOLUTIONS



You can choose to use the fleet in different ways. We can advise you on the best financial solution for your business, so that you can get the quality of the Fimap world at the most convenient conditions for you.

DIGITAL FLEET MANAGEMENT SYSTEM



With Fimap Fleet Management everything is under your control. You can have a complete overview of the service provided and find out the improvements that can be made, basing your considerations on real data, always available via the MyMachine app or FFM website.

GENUINE SPARE PARTS



Get the most out of your machines, choose the reliability of Fimap original spare parts. They are designed together with the machines, so they perfectly fit them thus guaranteeing the highest quality of performance.

CERTIFICATIONS



For any additional information or for a demo please contact your usual Fimap dealer



FIMAP spa - Via Invalidi del Lavoro, 1 - 37059 S. Maria di Zevio - Verona - Italy
Tel. +39 045 6060411 - Fax +39 045 6060417 - E-mail: fimap@fimap.com

